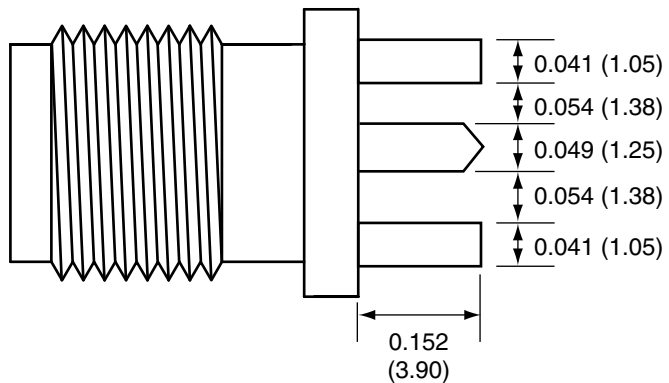
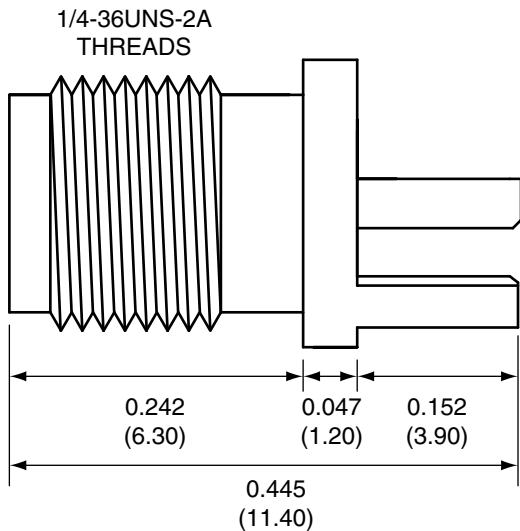


1		
Description	Material	Finish
Body	Brass	Nickel
Socket	BE CU	Gold
Insulation	Teflon	Teflon

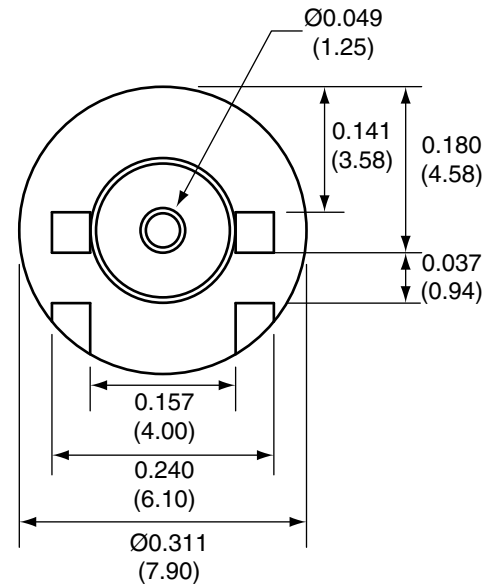
TOP VIEW



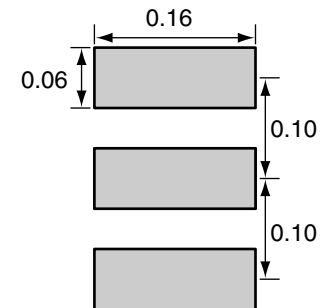
SIDE VIEW



BACK VIEW



RECOMMENDED FOOTPRINT



Title		CONSMMA003.031	
SMA FEMALE EDGE MOUNT FOR 0.031" THICK BOARD		Revision: 1.0	
Part No.	CONSMMA003.031	Date:	6/2/2006
Dimensions:	INCHES (mm)	Sheet 1 of 1	

CONNECTOR CITY
159 ORT LANE
MERLIN, OR 97532
PH (541)-471-6256
FAX (541)-471-6251

CONNECTOR CITY
THE VALUE OF CONNECTIONS